



## 1. Complete maintenance units

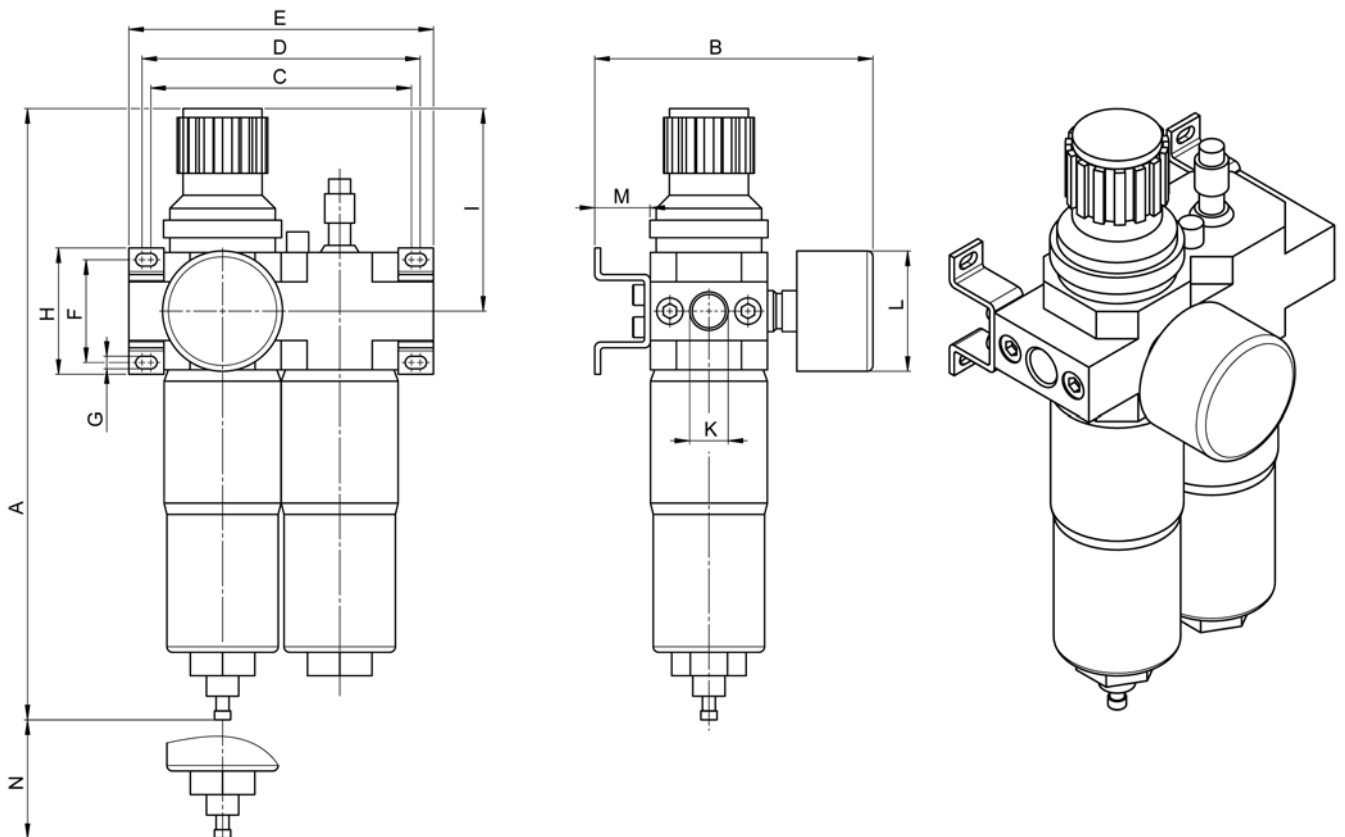
### Data

Type	Order No.	Nominal diameter/ connection	Perm. pressure range bar @	Input pressure max. bar @	Flow l/min @	Weight [kg]	Filter [µm]
<b>NWE 1/4</b>	81881014	G 1/4	0,5 - 7	16	1.000	0,66	5
<b>NWE 3/8</b>	81881038	G 3/8	0,5 - 7	16	2.000	1,44	5
<b>NWE 1/2</b>	81881012	G 1/2	0,5 - 7	16	4.500	2,60	5
<b>NWE 1</b>	81881100	G 1	0,5 - 7	16	5.200	2,60	40

All units with manual outlet valve, manometer, lubricator, regulator, connecting angle and filter cartridge

### Dimensions [mm]

Type	A	B	C	D	E	F	G	H	I	K	L	M	N
<b>NWE 1/4</b>	193	95	89	95	104	35	4,3	43	71	G ¼	41	19	60
<b>NWE 3/8</b>	250	114	122	128	140	60	5,3	70	102	G ⅜	50	19	80
<b>NWE 1/2</b>	275	126	143	149	162	60	5,3	70	108	G ½	50	19	90
<b>NWE 1</b>	275	126	154	160	182	60	5,3	70	108	G 1	50	19	90



## 2. Regulator

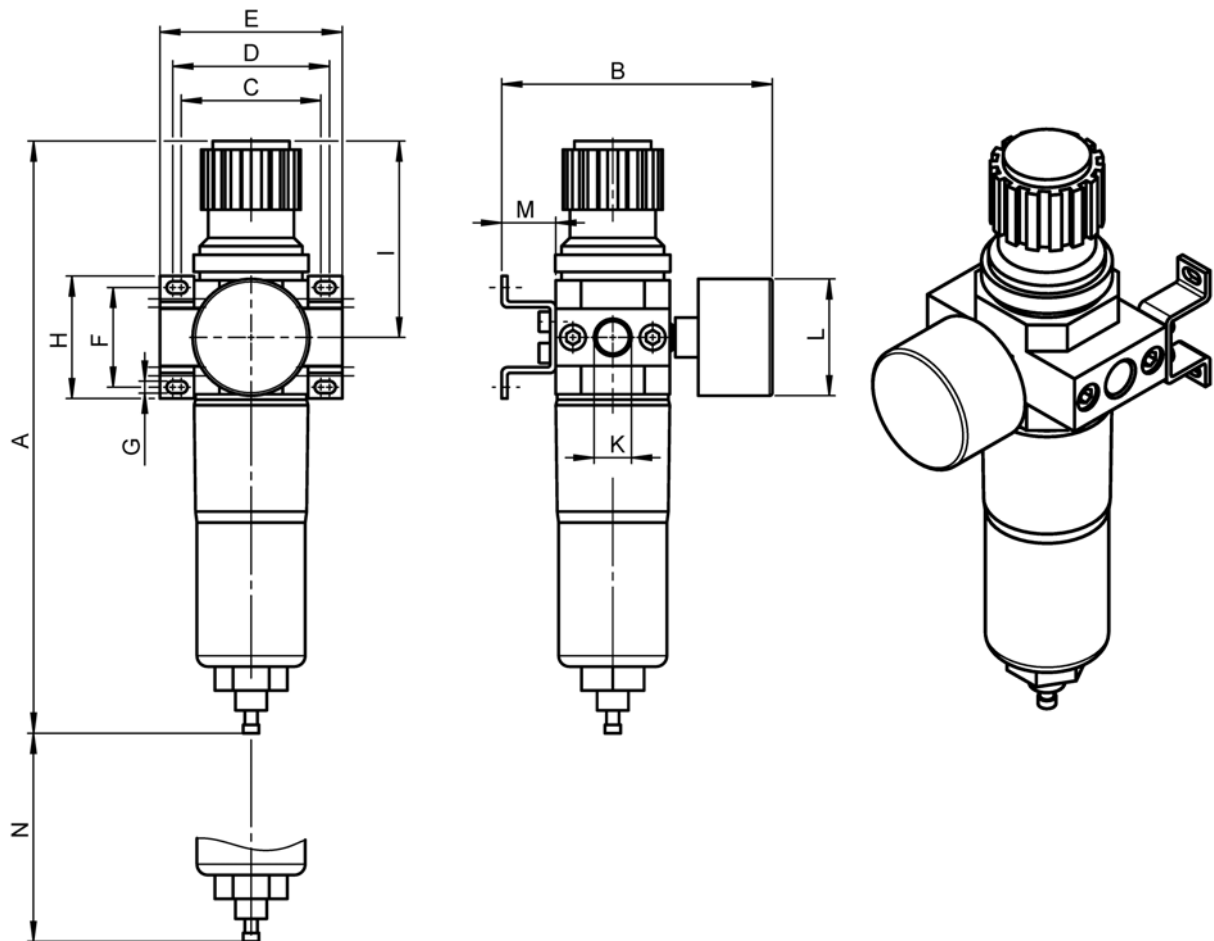
### Data

Type	Order. No.	Nominal diameter/ connection	Perm. pressure range bar @	Input pressure max. bar @	Flow l/min @	Weight [kg]	Filter [µm]
<b>NFR 1/4</b>	81885014	G 1/4	0,5 - 7	16	1.200	0,46	5
<b>NFR 3/8</b>	81885038	G 3/8	0,5 - 7	16	2.400	0,90	5
<b>NFR 1/2</b>	81885012	G 1/2	0,5 - 7	16	5.700	1,67	5
<b>NFR 1</b>	81886100	G 1	0,5 - 7	16	7.800	1,67	40

All regulators with manual outlet valve, manometer, connecting angle and filter cartridge

### Dimensions [mm]

Type	A	B	C	D	E	F	G	H	I	K	L	M	N
<b>NFR 1/4</b>	193	95	49	55	64	35	4,3	43	71	G ¼	41	19	60
<b>NFR 3/8</b>	250	114	67	73	85	60	5,3	70	102	G ⅜	50	19	80
<b>NFR 1/2</b>	275	126	77	83	96	60	5,3	70	108	G ½	50	19	90
<b>NFR 1</b>	275	126	88	94	116	60	5,3	70	108	G 1	50	19	90



### 3. Lubricator

#### Data

Type	Order-No.	Nominal diameter/ connection	Perm. pressure range [bar]	Input pressure max. [bar]	Flow [l/min]	Weight [kg]
<b>NOE 1/4</b>	81882014	G $\frac{1}{4}$	0,5 - 7	16	2.300	0,27
<b>NOE 3/8</b>	81882038	G $\frac{3}{8}$	0,5 - 7	16	5.500	0,63
<b>NOE 1/2</b>	81882012	G $\frac{1}{2}$	0,5 - 7	16	8.400	1,10
<b>NOE 1</b>	81882100	G1	0,5 - 7	16	9.000	1,20

All lubricators with connecting angle

#### Dimensions [mm]

Type	A	B	C	D	E	F	G	H	I	K	M	N
<b>NOE 1/4</b>	169	59	49	55	64	35	4,3	43	45	G $\frac{1}{4}$	19,0	100
<b>NOE 3/8</b>	204	74	67	73	85	60	5,3	70	53	G $\frac{3}{8}$	20,5	120
<b>NOE 1/2</b>	228	85	77	83	96	60	5,3	70	58	G $\frac{1}{2}$	19,5	150
<b>NOE 1</b>	228	85	88	94	116	60	5,9	70	58	G 1	19,5	150

